

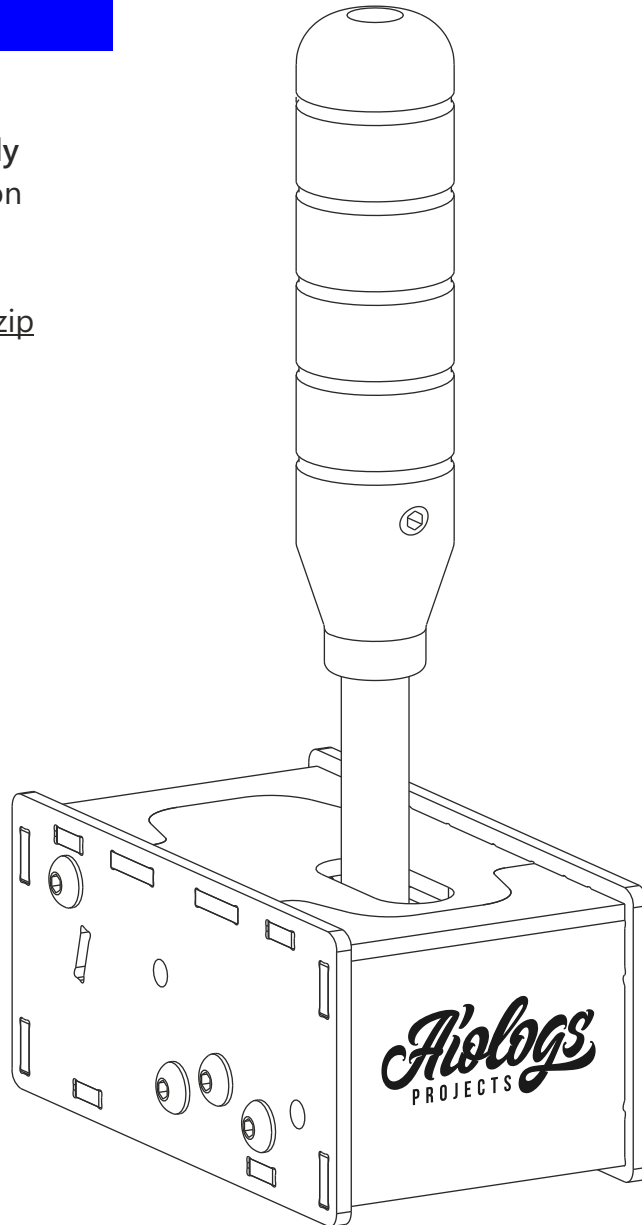
Aiologs Handbrake

User Manual

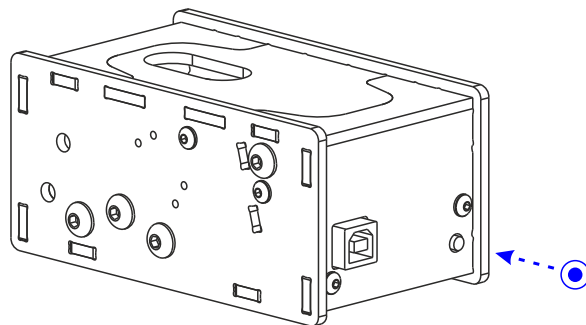
The driver is install automatically
Reconnect device after installation

Software for control lightning
<https://shop.aiologs.net/files/led.zip>

Customers service
aiologs.net@gmail.com



Settings



Handbrake setting button

Press ● small button to switch Analog (Axis) and "ON-OFF" mode.

Note! Handbrake already calibrated

Calibration Analog (Axis) mode

Stay in Analog mode. Hold button ●, wait 2 sec, LED start blinking, keep going hold button into position, push handle on 100% of the way and then release button. Calibration is done.

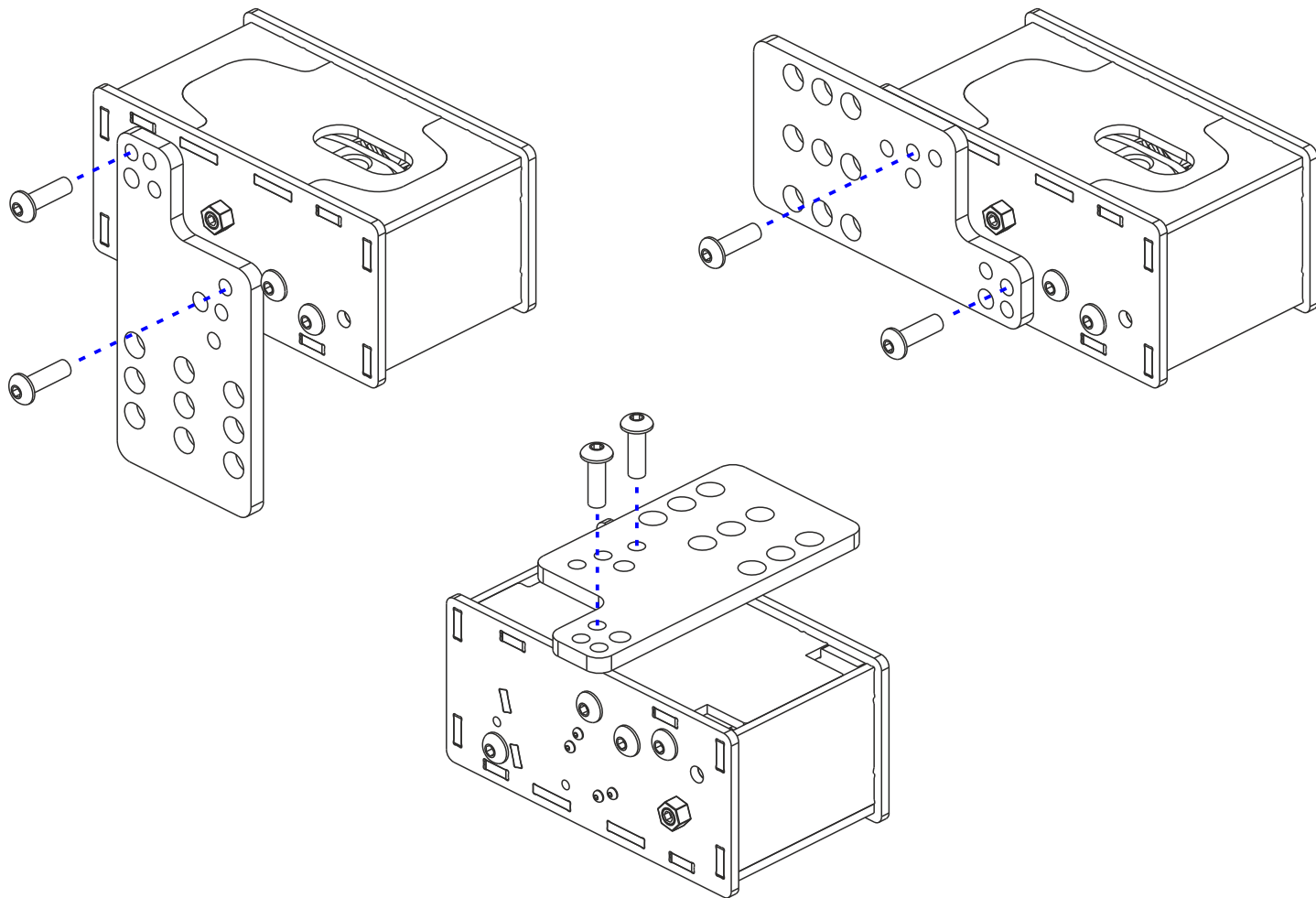
Calibration "ON-OFF" mode

Stay in "ON-OFF" mode. Hold button ●, wait 2 sec, LED start blinking, keep going hold button into position, move handle in position where you want the handbrake to start working, and release button. Done.

Mounting options

Mounting plate

Mounting available
on left & right side



Mounting options

Clamp

