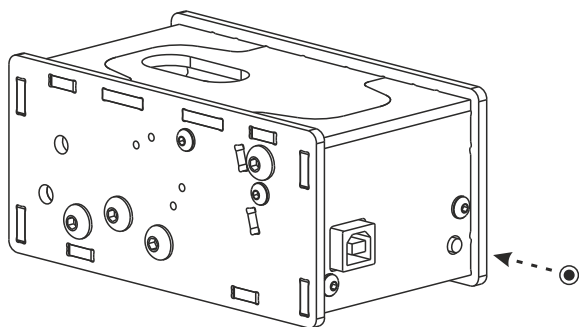


The driver is install automatically

Reconnect device after installation



Handbrake (only) setting button

Press ● small button to switch Analog (Axis) and "ON-OFF" mode.

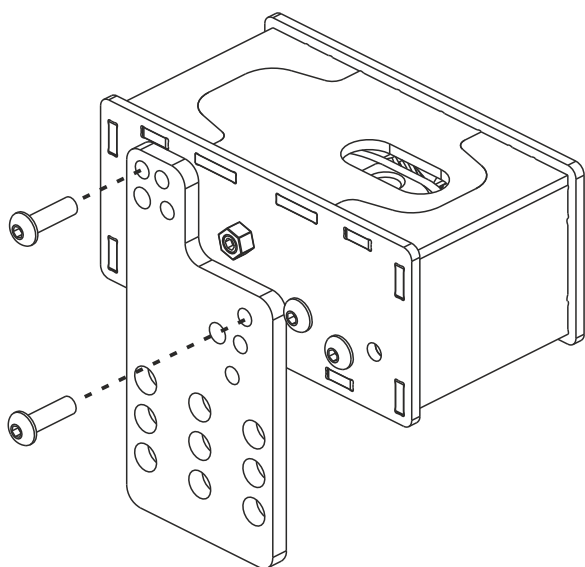
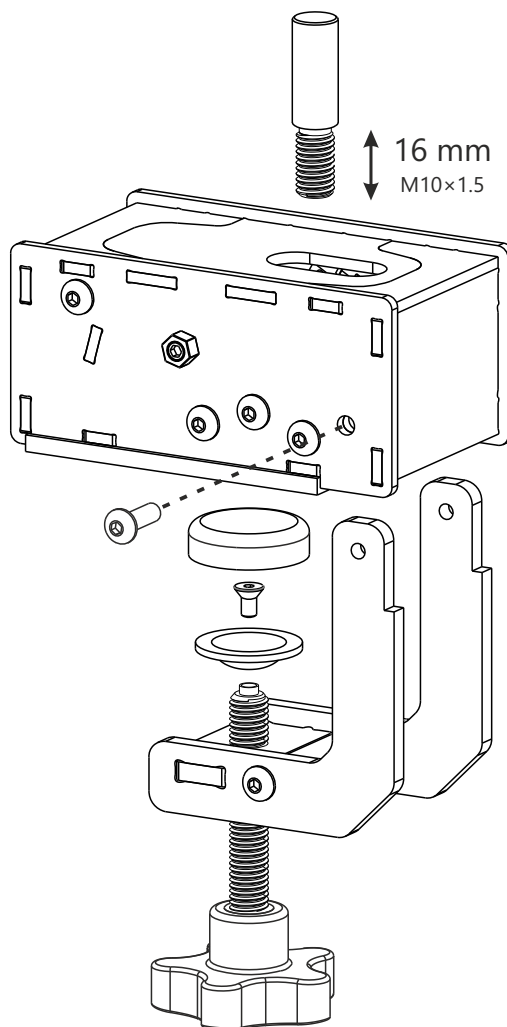
Note! Handbrake already calibrated

Calibration Analog mode

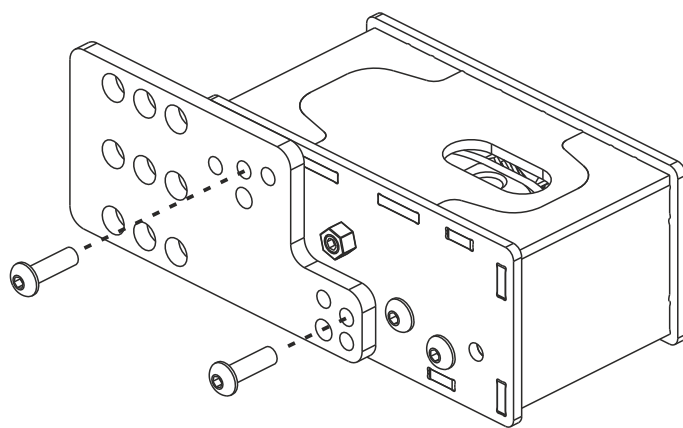
Stay in Analog mode. Hold button ●, wait 2 sec, LED start blinking, keep going hold button into position, push handle on 100% of the way and then release button. Calibration is done.

Calibration "ON-OFF" mode

Stay in "ON-OFF" mode. Hold button ●, wait 2 sec, LED start blinking, keep going hold button into position, move handle in position where you want the handbrake to start working, and release button. Done.



Mounting plate
for T-slot 8mm



Mounting available
on left & right side

